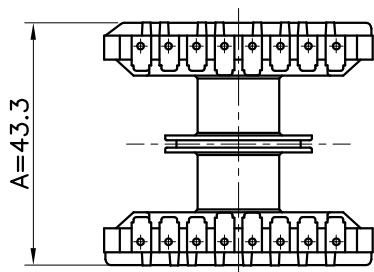
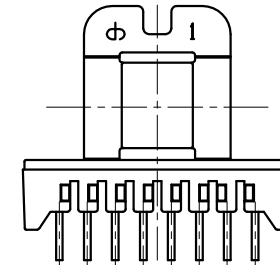
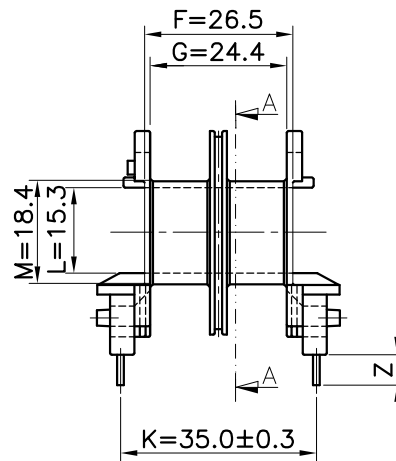
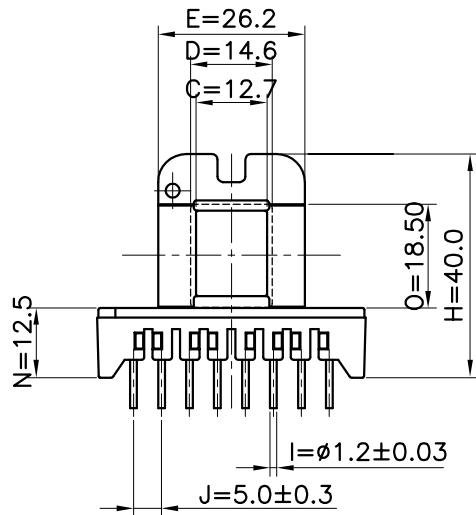


SECTION A-A



▲							
▲							
▲							
▲							
MARK	REVISION NOTE			DATE	DRAWN	CHECKED	APPROVED
DRAWN	CHECKED	APPROVED	MATERIAL : PHENOL	UL REC. : UL94V-0	THIRD ANGLE PROJ.	SCALE : 1/1	
Hyo Soon, Moon	Han Jung, Seo	Dong Kyu, Kim	Z : PIN LENGTH (According to customer's request)	DATE : 2005.01.15	TOLERANCE : ±0.2 (Unless otherwise specified)	UNIT : m/m	
주식회사 대흥보빈 DAE HEUNG BOBBIN CO., LTD			TITLE EE 42*15 (16P) "H" (2F) (B)		DWG NO DH-050115-2067-05		